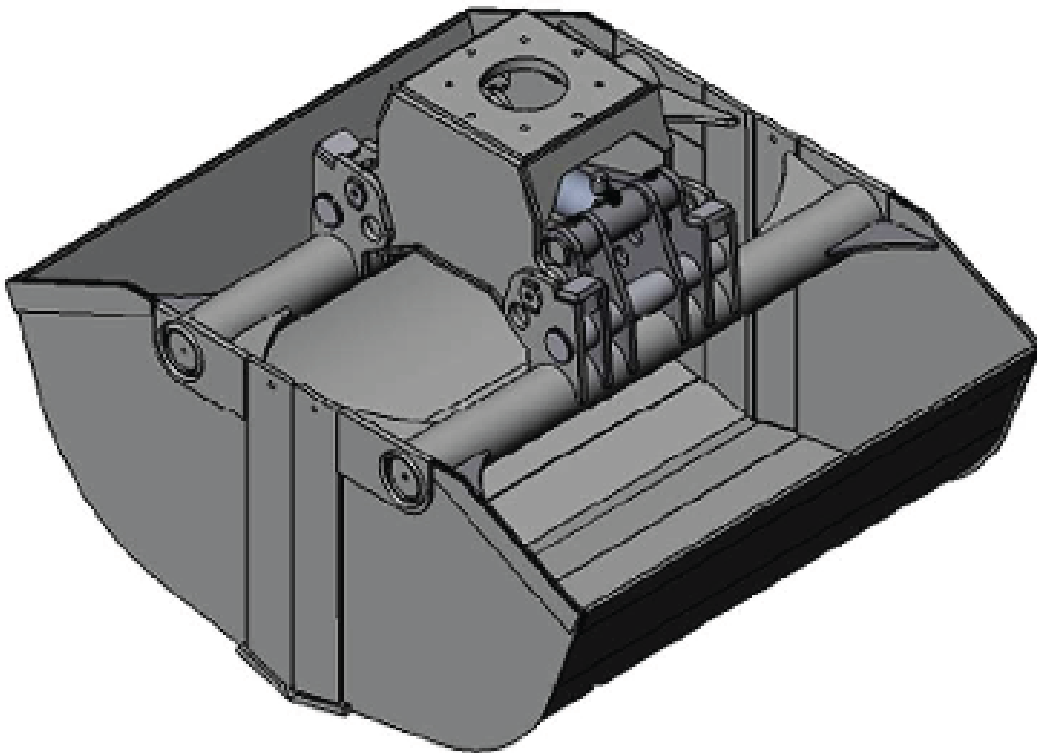
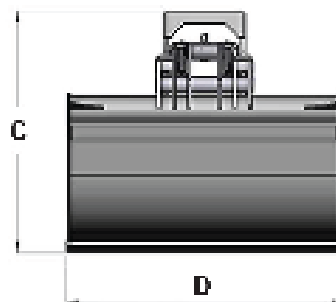
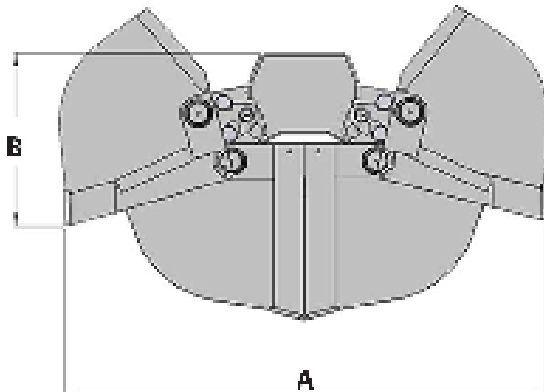


INTERMERCATO | TCB HD 1250



KEY FEATURES

- Match with any rotator RMR series for fast sorting or Worm Drive for positioning
- Heavy Duty
- Double guide bars
- High tensile wear resistant steel (400 HB)
- Self lubricating bushings
- High tensile wear resistant steel cutting edges (500 HB)
- High pressure cylinder with double piston rod seals
- Pilot operated check valve optional



A	1944
B	790
C	1094
D	1250

MODEL SPECIFICATIONS



TCB HD 1000

560

700

300

60

16

30

3

20

20

INTERMERCATO

High performance lift and load attachments for Forestry, Transport, Construction and Recycling.

