



Forestry winches **PROFI** **FOR PROFESSIONAL USE**

SERIES G

65G | 85G | 85GF | 120G power
2x65G | 2x85G

WINCH HEADS

1x85H | 2x85H | 2x85HF
2x85Hpro | 2x85HFpro

In addition to a tractor, the PROFÍ forestry winches for professional use are essential machines required for daily timber harvesting from the forest. Using these winches, the work is safer, easier and quicker.

Our PROFÍ winches are distinguished by patented solutions, reducing the strain on the operator and underlining the technological superiority of the machines. They were designed to ensure simple maintenance, with a compact and stable framework and mechanisms for energy efficiency.

A long service life of PROFÍ winches is now beyond question.

www.grapples.com.au

1300 88 21 61

sales@grapples.com.au

Common features of PROFI forestry winches

MAXI DRUM



An extra large drum capacity ensures that a longer rope can be wound to cover a larger area. It also reduces the loss of the pulling force with a fully wound drum.

CONVENIENT POSITIONING



The winch is positioned closer to the tractor, while the pulley is installed further down the winch to improve and lower its gravity centre. This reduces the risk of the tractor being lifted.

MULTI-PLATE CLUTCH



The multi-plate clutch prevents overheating/slipping of the clutch (4 to 8 plates).

Long service life is ensured by:



Unwinding device for wire rope with adjustable unwinding speed. A rotating feed roller for optimal positioning according to the pulling direction.



A guide for precise winding of wire rope on a drum.



Pressure relief brake for a constant tension of wire rope. A high-pressure oil filter preventing dirt from entering the hydraulic block.

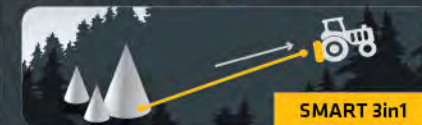


Pre-loaded wire rope tensioning "Roller" for more precise wire rope winding.



HAVE seated solenoid valve with a high-pressure filter integrated in the control block for preventing pressure loss.

SMART 3in1



(1) When pulling logs with a tractor, you may encounter some obstacles on the road (hill, roots etc.). If the tractor is not able to overcome these obstacles, the unwinding function can be switched into the mode without the assistance of the unwinding device and you can continue driving with a taut wire rope between the winch and the load. (2) The unwinding device can be turned on and off without delay (the standard model has a 1.5 sec. delay). (3) The SMART 3in1 function ensures additional tension of the wire rope between the unwinding pulley and drum.

WIRE ROPE UNWINDING

PATENT

To make the wire rope unwinding easier you can choose a winch with an integrated device for unwinding. The unwinding device is electronically guided and ensures optimal control of the hydraulic assembly. This type of winch also guarantees a constant tension of the wire rope between the unwinding pulley and the drum, thus preventing damage to the drum or pulley and enabling a longer service life.

AUTO STOP (limit switch)

AUTO STOP function (limit switch) automatically stops the function of winding the wire rope on the drum. This function prevents mechanical damages of the unwinding device, entanglement and wire rope damages.

For G and GK Series.

This function is only available with the remote controls Teleradio, Terra funk and manual console.

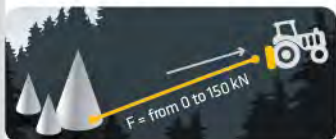
SERIES G

The Series G is the first group of our PROFI forestry winches, available on the market for over 10 years. Their most distinctive feature is a gear drive transmission system that contributes to low maintenance costs and long service life.

120G power



Adjustable braking force (progressive break system).



Adjustable braking force allows the wire rope to be unwound without the unwinding device, regardless of the force on the pulling rope between the winch and the load.

The valve for adjusting the brake opening speed enables slower release of the wire rope tension. This prevents uncontrolled spinning of the drum and resulting entanglement of the wire rope. It is available for all models except 120G power.



Plenty of storage area for additional equipment.

PATENT



Plenty of room for forestry chains and other small forestry accessories on the front side of the butt plate to prevent the dirt from entering the chains and other equipment.



Multiple lower link mounting positions. Different attachment heights and depths on the tractor.

OPTION

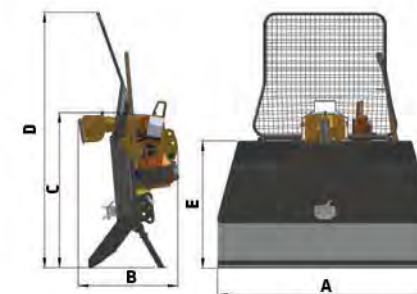


Hydraulic hinged butt plate lowers the centre of gravity for easier timber handling and log stacking.



65G

- High pulling force even with fully wound drum
- Robust construction
- Long operating life
- Low maintenance costs
- Foldable window guard





The drive consists of a worm gear enabling high gear ratios and sudden loads, as well as spur gears with all the drive elements immersed in the oil bath which enables higher efficiency, reduces maintenance requirements and increases its life span. Worm manufactured from high-alloy steel, hardened, reinforced and ground, gear wheel manufactured from special bronze for greater resistance to wear.



Bevel-helical and spur gear drive reduces wear and increases energy efficiency.



Drums with separate hydraulic systems.



Built in gear pump.



3-piston pump and professional globe valves for long operating life.



Dual PTO for front/rear mounting.



Unwinding device with two hydraulic motors and two pulleys - for stronger tension of wire rope between drum and unwinding device as well as higher unwinding force.



The electronically adjustable brake opening time allows for a slower release of the tension of the wire rope, thus preventing the drum from uncontrolled rotation and subsequent entanglement of the wire rope.



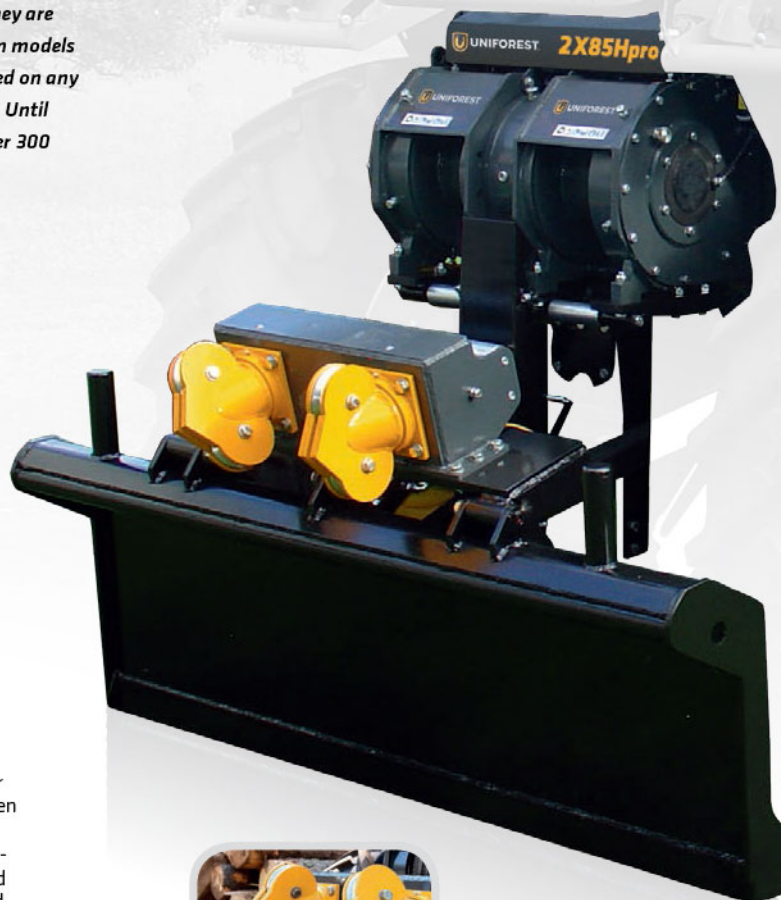
Remote control Terra Funk FA5-A1 for precise break release.

Model			65G	2x65G	85G	2x85G	85GF	120G power
Drive			Helical and bevel gear drive	Helical and bevel gear drive	Worm gear	Worm gear	Worm gear	Worm gear
Pulling force - internal/external diameter	kN		65/40*	65/40*	85/56	85/56	85/56	120/80**
Brake force	kN		81	81	106	106	106	150
Wire rope medium speed	m/s		0,65 (540 min ⁻¹)	0,65 (540 min ⁻¹)	0,50 (540 min ⁻¹)	0,50 (540 min ⁻¹)	0,50 (540 min ⁻¹)	0,50 (540 min ⁻¹)
Drum capacity length/diameter	m/mm		130/12	130/12	118/13	118/13	118/13	140/14
			160/11	160/11	130/12	130/12	130/12	-
Recommended tractor power	HP		80	100	100	100	100	120
Clutch plates	pcs		4	4	6	6	6	8
Pump			Gear pump	Gear pump	3-piston pump	Gear pump	Gear pump	Gear pump
PTO shaft revolutions			540-750	540-750	540-750	540-750	540-750	540-750
Oil pressure	bar		110-150	110-150	110-150	110-150	110-150	110-150
Dimensions	A	mm	1920	1920	1920	1920	1920	2200
	B		840	840	930	930	930	970
	C	mm	1500	1500	1500	1500	1500	1500
	D		2300	2300	2300	2300	2300	2300
Weight without wire rope	kg		660	900	680	970	680	930
Unwinding device			●	●	●	●	●	●
Wire rope guide			●	●	●	●	●	●
Auto Stop function			●	●	●	●	●	●
Smart 3in1			●	●	●	●	●	/
Adjustable braking force			/	/	/	/	/	●

● Standard | ● Option | / Not possible | * Double flatted wire rope 90 m / 12 mm | ** Double flatted wire rope 110 m / 14 mm | *** Butt plate width 2200 or 2400 mm

WINCH HEADS

Winch heads are our specialty. They are available as single or double drum models and can be permanently integrated on any tractor with a minimum of 80 HP. Until now, we successfully installed over 300 winch heads in Slovenia alone.

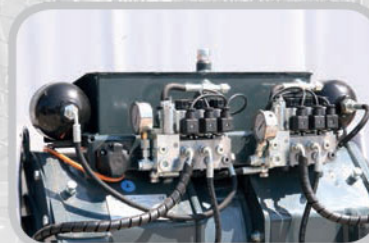


The drive consists of a worm gear enabling high gear ratios and sudden loads.

Worm manufactured from high-alloy steel, hardened, reinforced and ground, gear wheel manufactured from special bronze for greater resistance to wear.



Double pulley.



Globe valves with integrated high pressure filter. Double-drum winches: separate hydraulic systems for drums and wire rope unwinding devices.



The unwinding device with two feed rollers and hydraulic motors increase the tension of the wire rope between the unwinding device and the drum, in addition to providing higher unwinding force. Optionally adjustable wire rope unwinding speed.

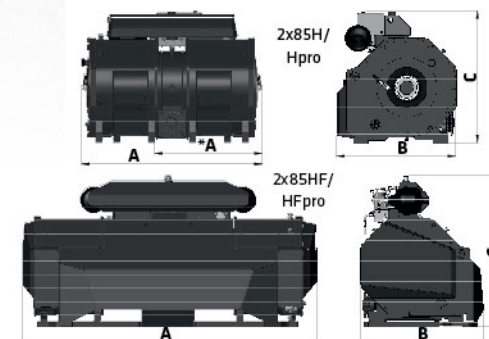


The valve for adjusting the brake opening speed enables slower release of the wire rope tension. This prevents uncontrolled spinning of the drum and resulting entanglement of the wire rope.



85HFpro

- installation is possible on the front or rear of the tractor
- Strong pulling force even when the drum is fully wound (considerably better ratio between the pulling force on the inner and outer perimeters 1:1,7)
- Worm gearbox for maximum load transfer
- The transfer of torque is carried out via cylindrical involute gears, which is a considerable advantage compared with the utilization of dowels or bolts
- Easy and reliable operation
- Long operating life



**OVER 300 FORESTRY
WINCHES INSTALLED**



Possible installation on the front or rear side of all tractors with a minimum horsepower of 80 HP.

Model		1x85H	2x85H	2x85HF	2x85Hpro	2x85HFpro
Drive		Worm gear	Worm gear	Worm gear	Worm gear	Worm gear
Pulling force - internal/external diameter	kN	85/56	85/56	85/56	85/56	85/56
Brake force	kN	106	106	106	106	106
Wire rope medium speed	m/s	0,60 (540 min ⁻¹)	0,60 (540 min ⁻¹)	0,60 (540 min ⁻¹)	0,60 (540 min ⁻¹)	0,60 (540 min ⁻¹)
Drum capacity length/diameter	m/mm	80/13	80/13	80/13	80/13	80/13
		90/12	90/12	90/12	90/12	90/12
Recommended min. tractor power	HP	80	80	80	80	80
Weight without wire rope	kg	260	380	440	450	510
Clutch plates	pcs	6	6	6	6	6
Pump		Gear Pump	Gear Pump	3-piston pump	Gear Pump	Gear Pump
PTD shaft revolutions		540-750	540-750	540-750	540-750	540-750
Oil pressure	bar	110-150	110-150	110-150	110-150	110-150
Oil quantity	l	3,5	3,5	3,5	3,5	3,5
Dimensions	A	mm	500	800	1370	800
	B	mm	520	520	520	520
	C	mm	600	600	600	600
Unwinding device	pcs	● 1	/	● 2	● 2	● 2
SMART 3in1		●*	/	●	●	●
Winch mounting plate		●	●	●	●	●

● Standard | ● Option | / Not possible | * Only available, if the unwinding device is installed