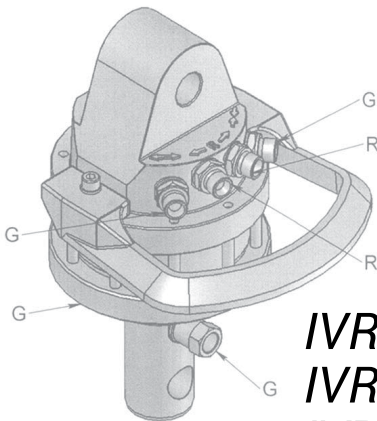
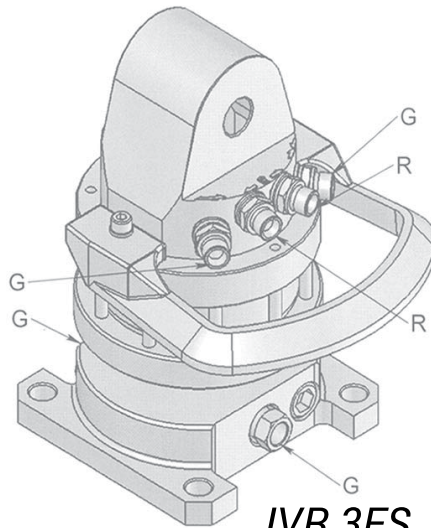


ROTECH

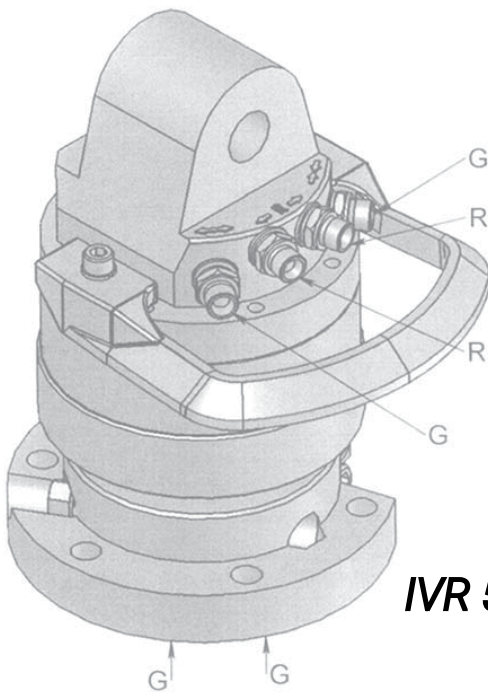
UP TO 5.5T PENDULUM ROTATORS



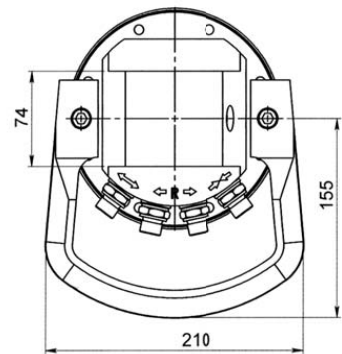
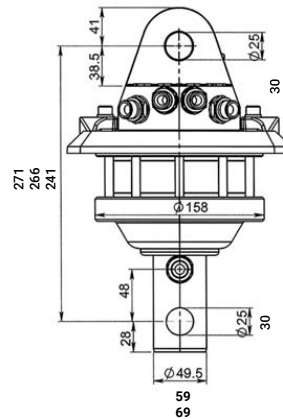
IVR 3
IVR 4.59
IVR 5.69



IVR 3FS
IVR 4FS



IVR 5 F6



KEY FEATURES

- For cranes & excavators
- Endless rotation
- High torque
- Low maintenance
- Hose protection included
- 360°
- 3/8" connectors
- Flange or shaft

MODEL SPECIFICATIONS	WEIGHT	STATIC	PRESSURE	FLOW	TORQUE	FORESTRY	CARGO	PENDULUM	SHAFT/ FLANGE	TOP PIN	BOTTOM PIN	
	Kg	ton	Bar	l/min	cm ³	tm	tm	ton				
IVR 3	17	3	250/300	10	280	700	-	8	3	49.5	25	25
IVR 3 FS	21	3	250/300	10	280	700	-	8	3	4/140	25	-
IVR 4.59	23.5	4.5	250/300	12	385	1100	5	15	5	59	25	30
IVR 4 FS	28	4.5	250/300	12	385	1100	5	15	5	4/140	25	-
IVR 5.69	25	5.5	250/300	15	400	1100	6	20	6	69	30	30
IVR 5 F6	30	5.5	250/300	15	400	1100	6	20	6	6/173	30	-